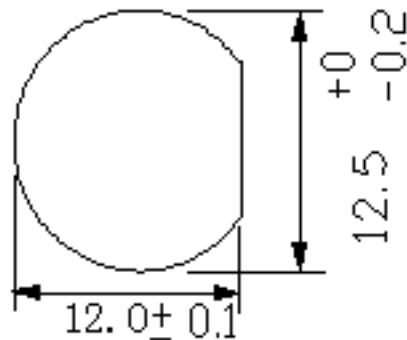
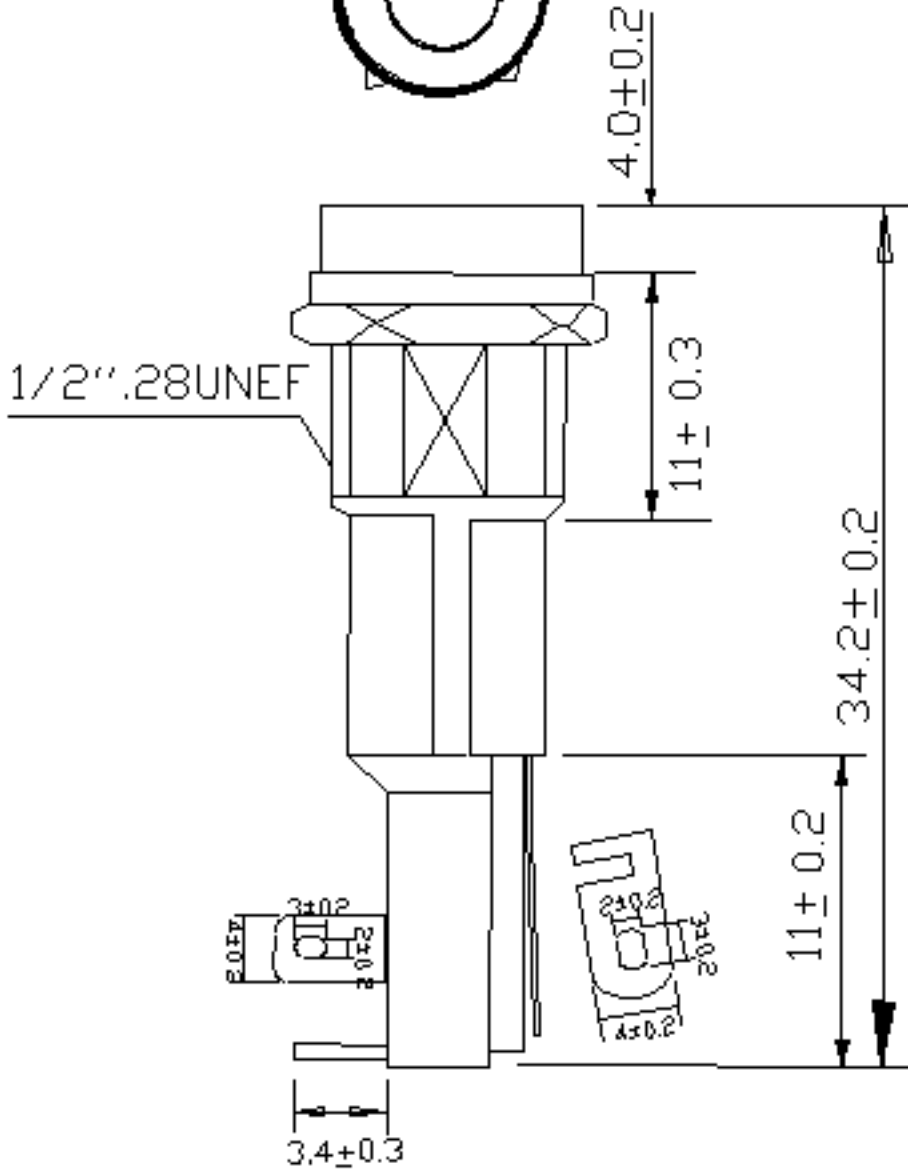


Fuse Size: 5.2x20mm
 Maximum Rating: 10A 250V AC
 Dielectric Strength: AC 1500V 1 Minute
 Insulation Resistance: DC 500V 100m Ω Min.



Dongguan Uchi Electronics Co.,Ltd.

james@uchidg.com

	UNIT	mm	保险丝座	QTY.	
	SCALE	1:1			MATL.
DESIGNED			R3-11	HDN.	
DRAWN				F.SIZE	
CHECKED				FILE	
APPROVED				SHEET	